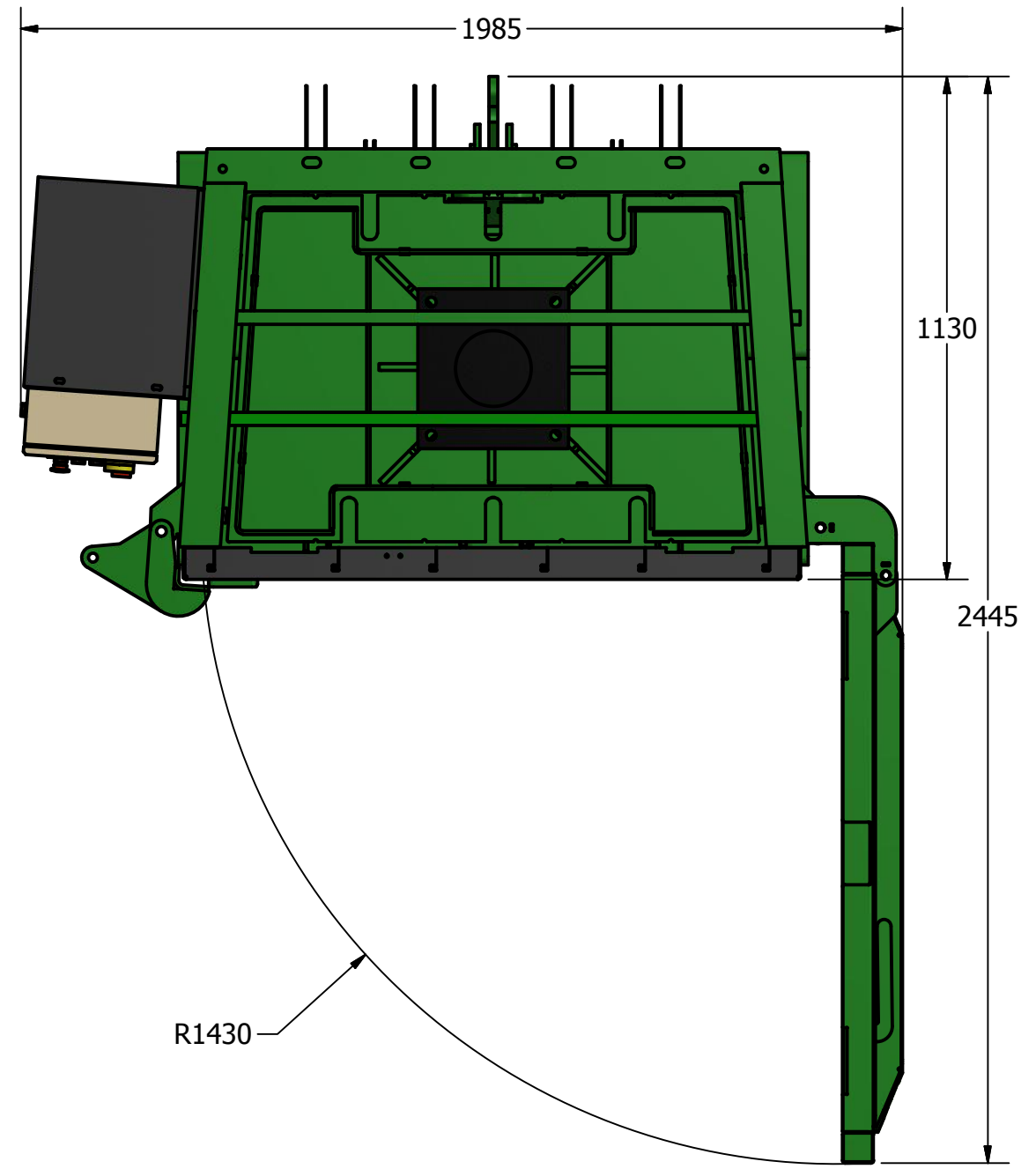
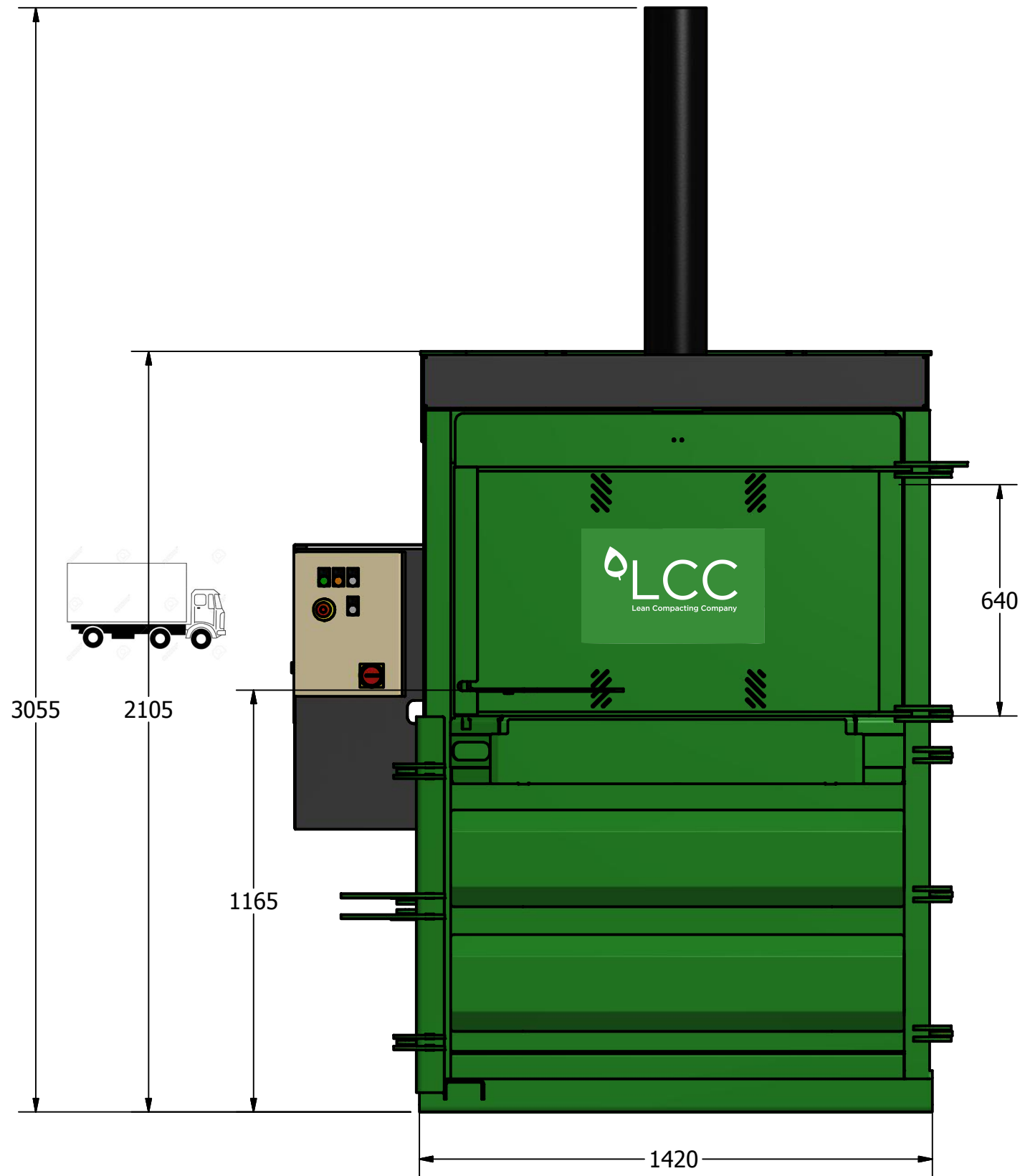
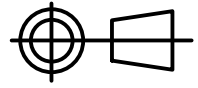


THIRD ANGLE PROJECTION



MODEL CODE	V50
MACHINE WEIGHT	1870 KG
NOISE LEVEL	74 dB