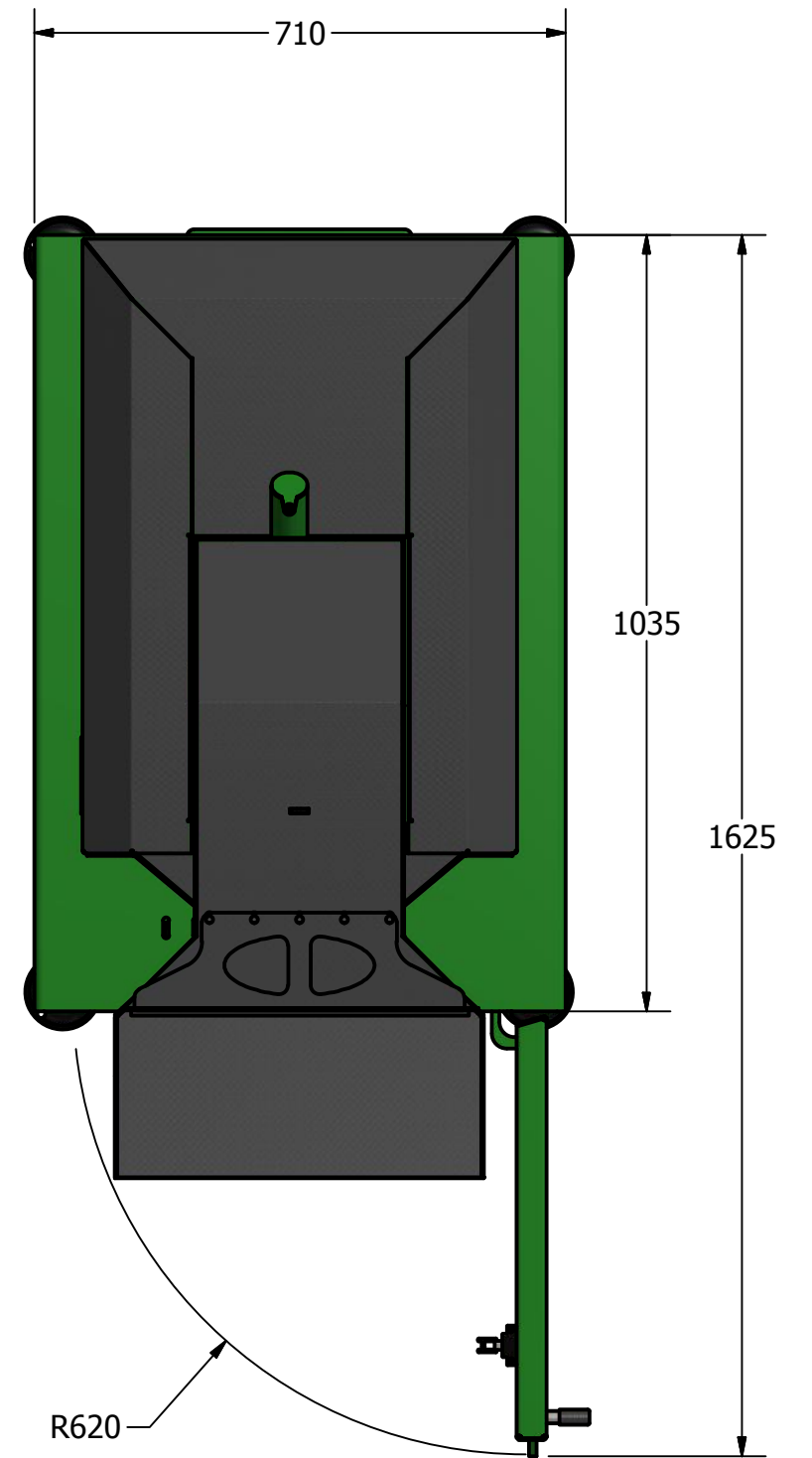
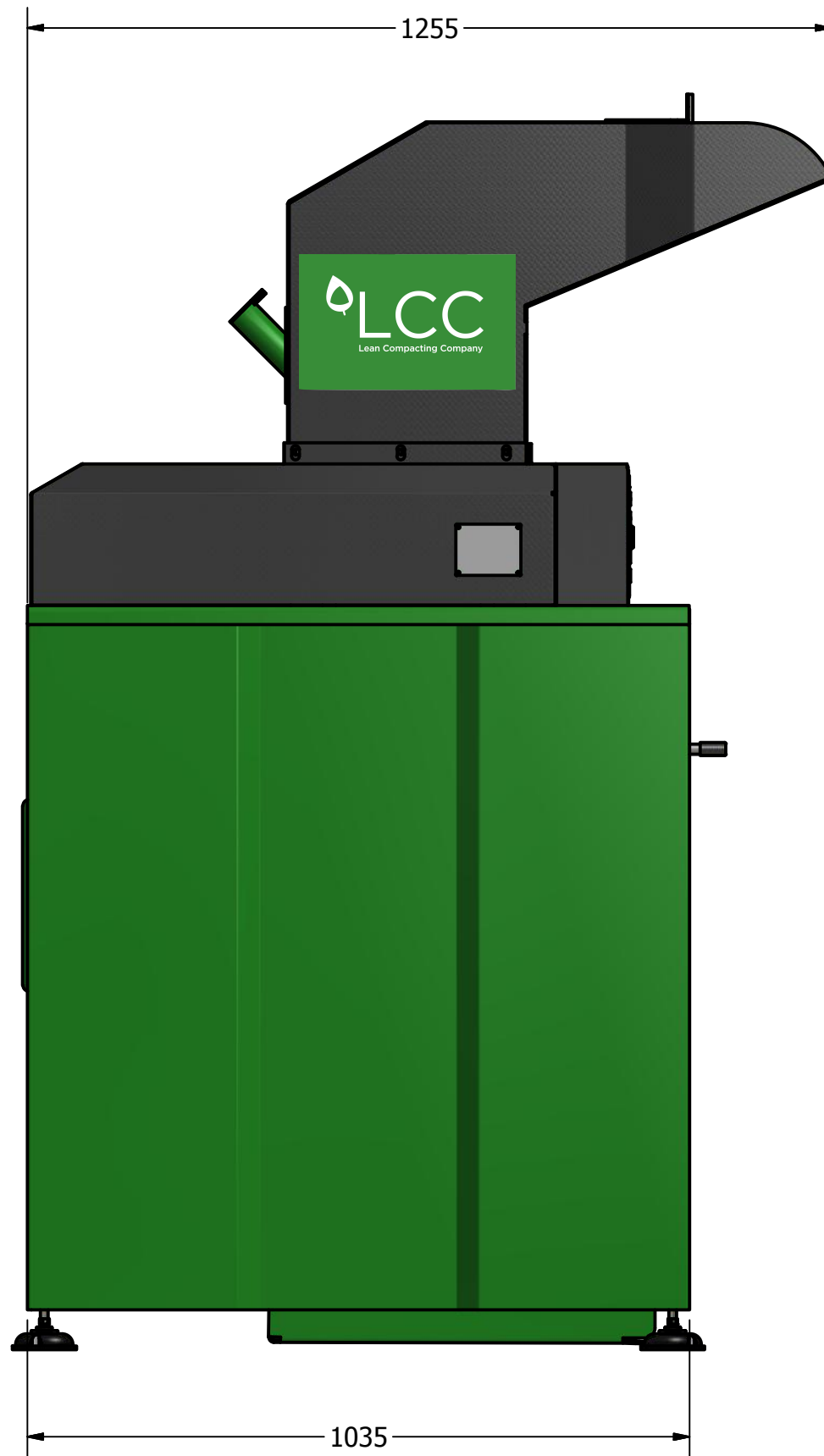
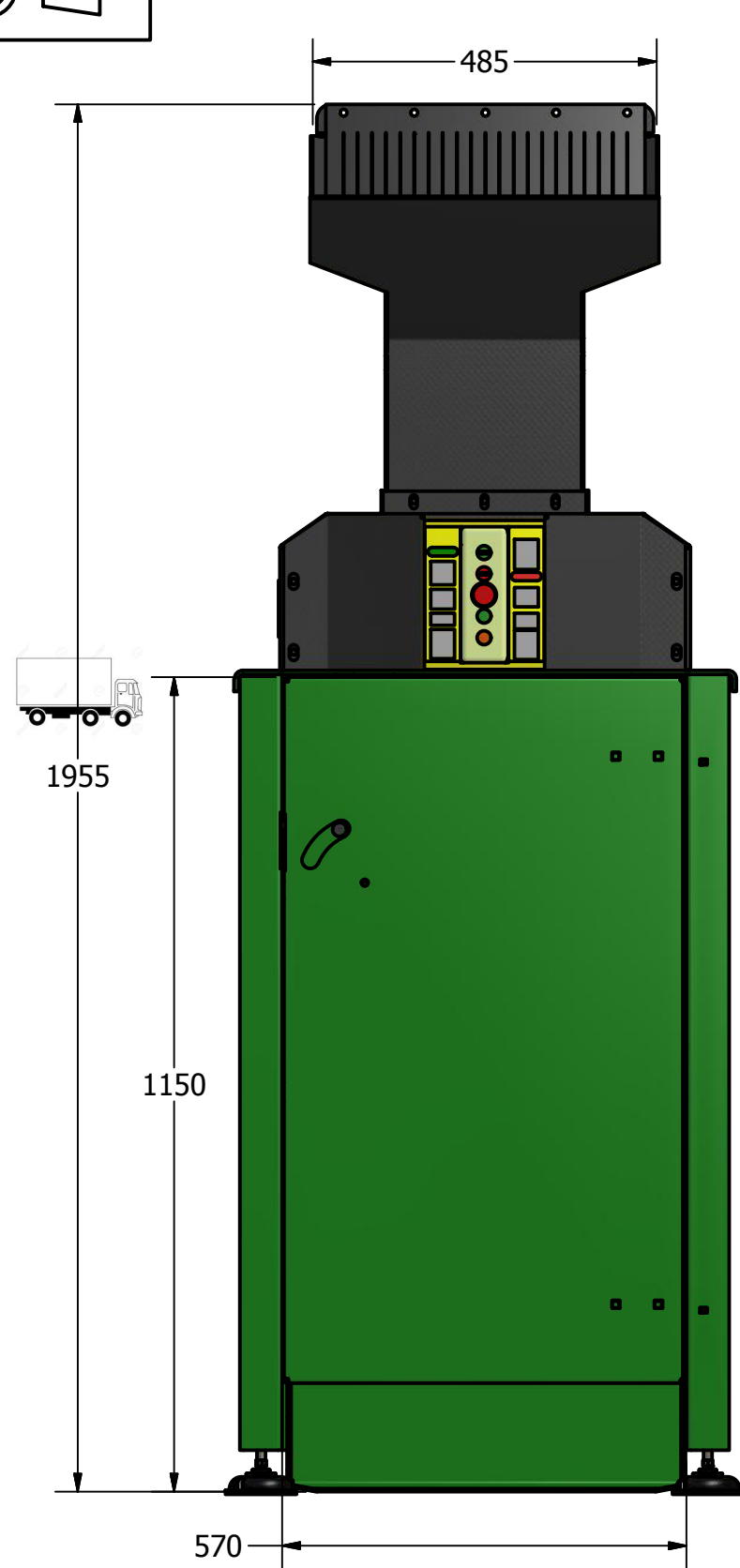
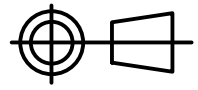


THIRD ANGLE PROJECTION



www.lccnorte.com

MODEL CODE	G5
MACHINE WEIGHT	320 KG
NOISE LEVEL	70 dB