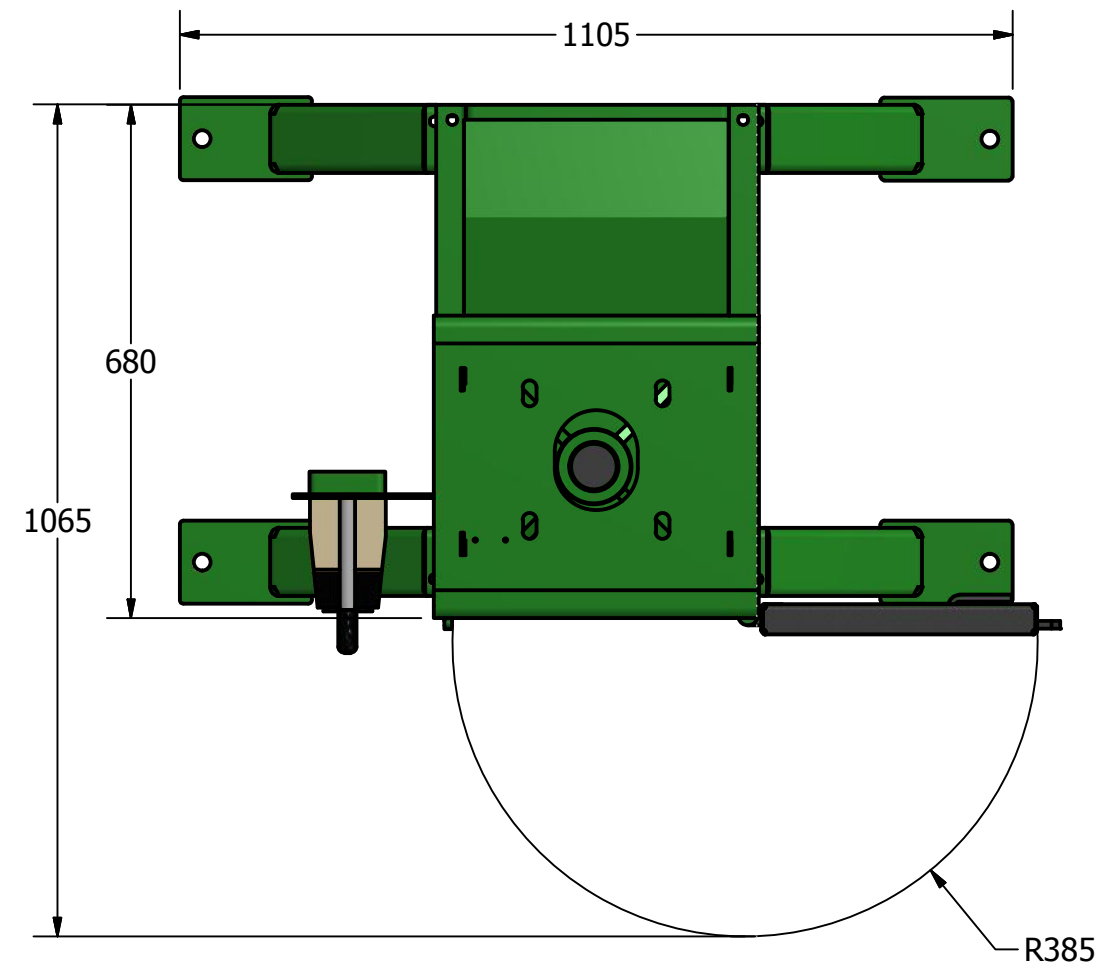
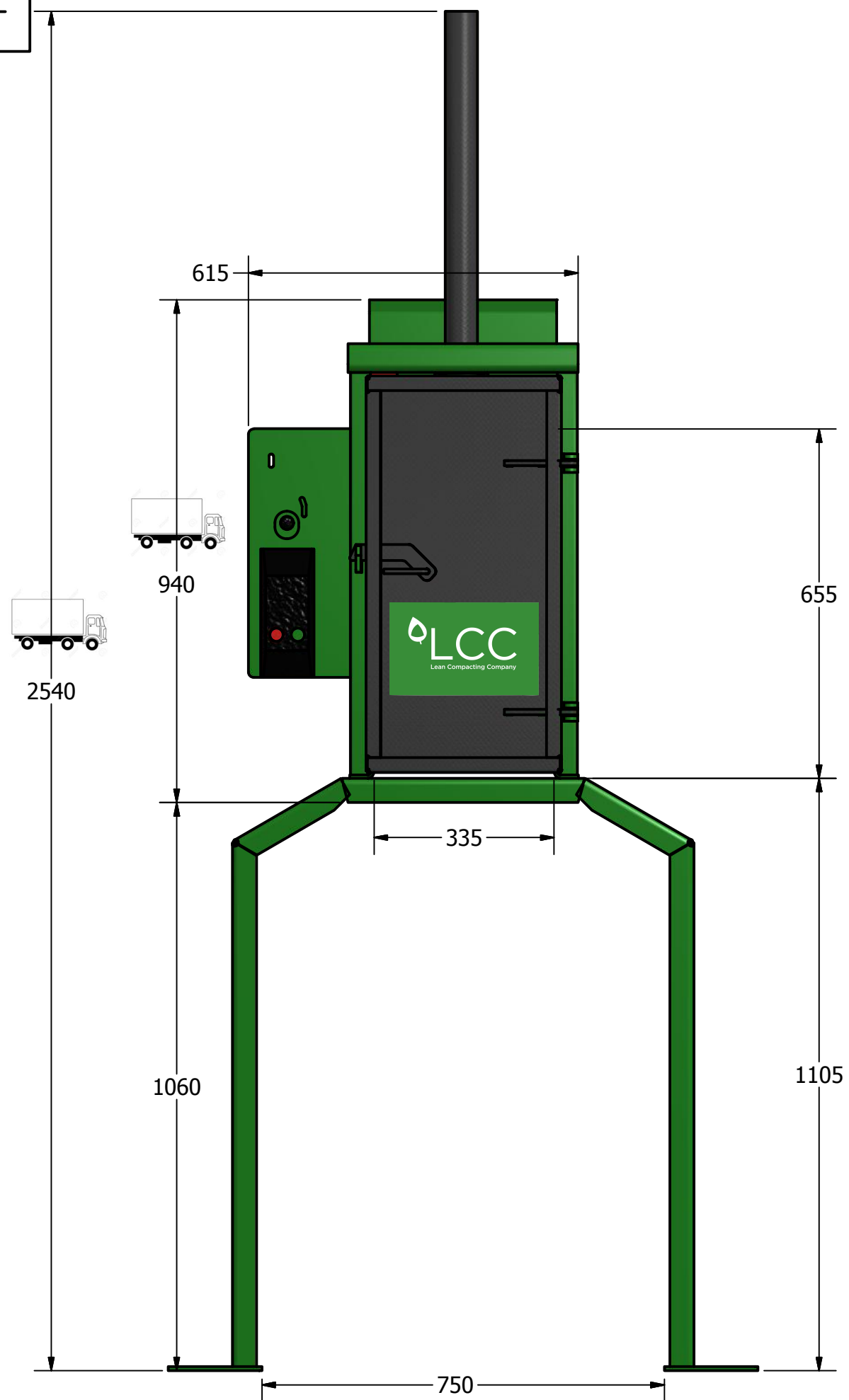
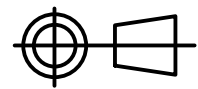


THIRD ANGLE PROJECTION



[www.lccnorte.com](http://www.lccnorte.com)

MODEL CODE	CP30
MACHINE WEIGHT	245 KG
NOISE LEVEL	70 dB