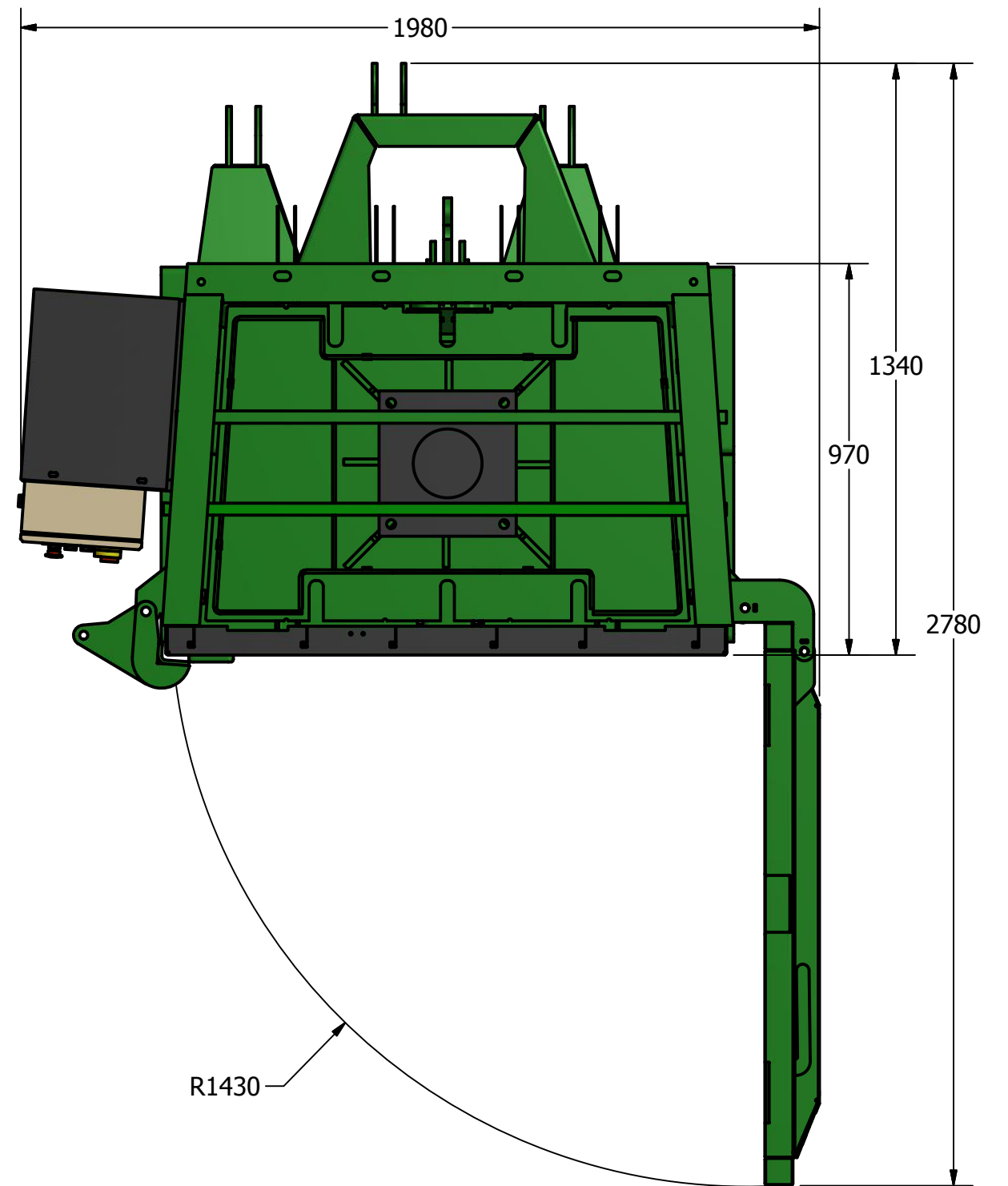
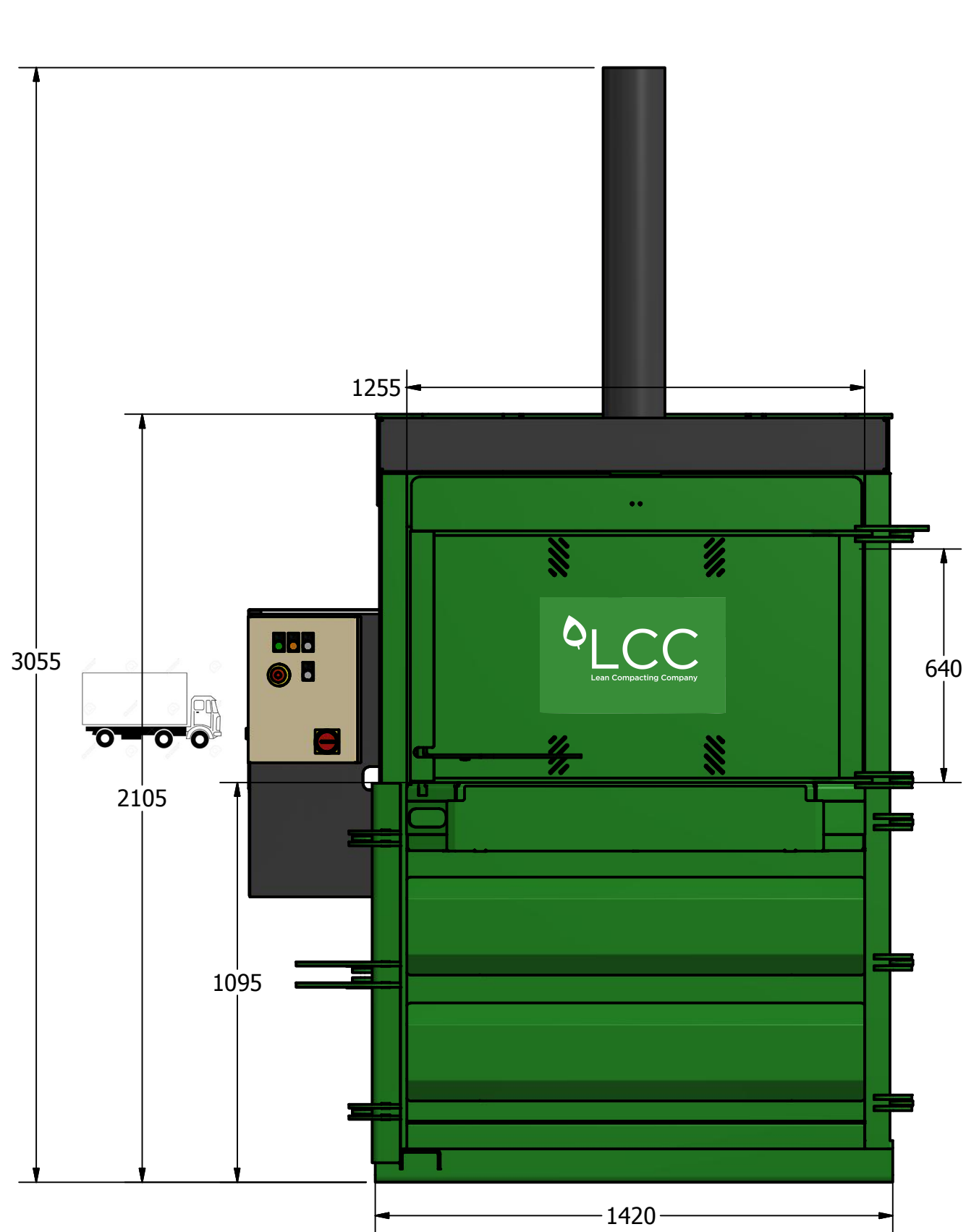
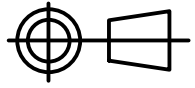


THIRD ANGLE PROJECTION



www.lccnorte.com

MODEL CODE	V50F
MACHINE WEIGHT	1930 KG
NOISE LEVEL	78 dB