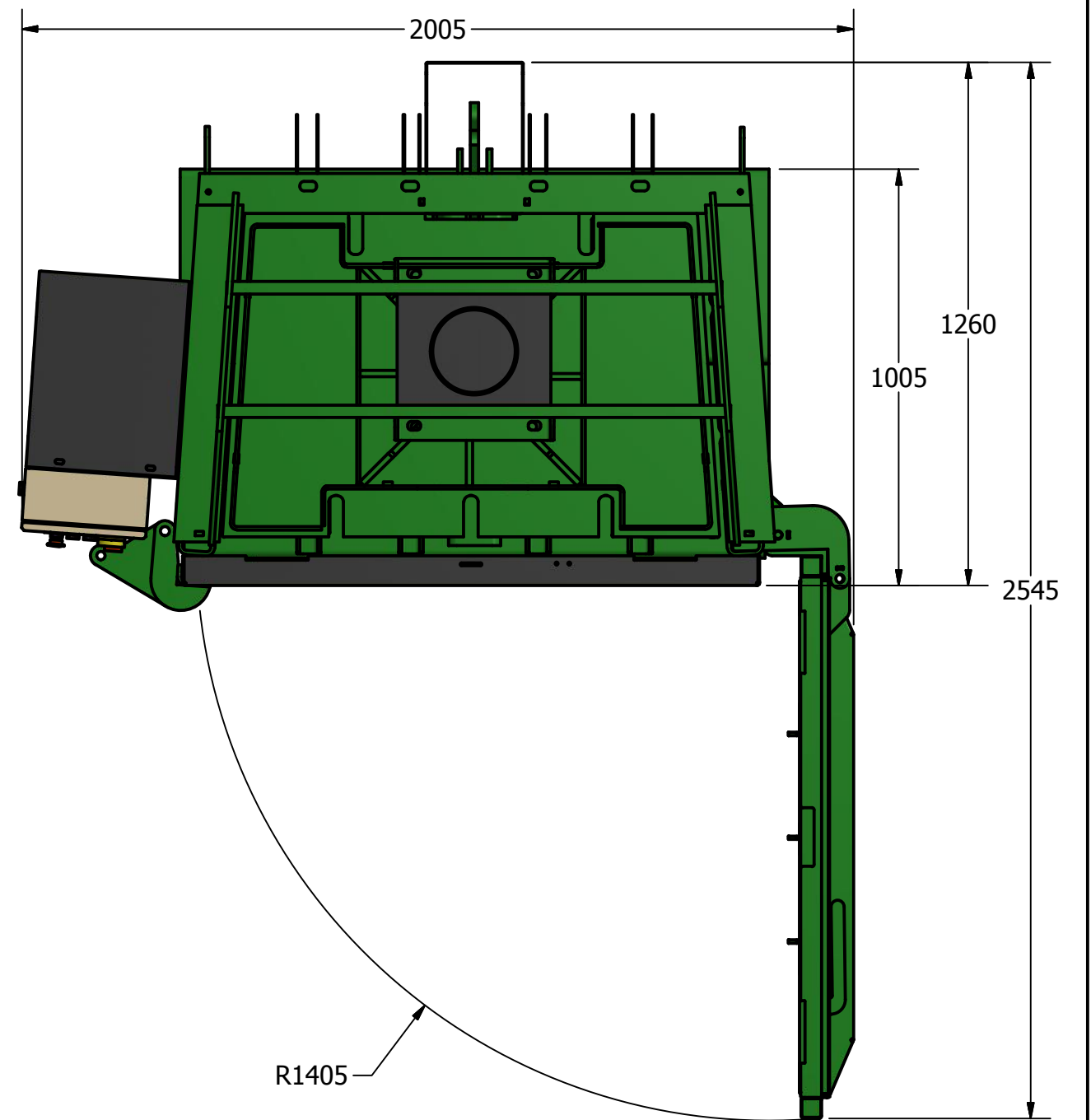
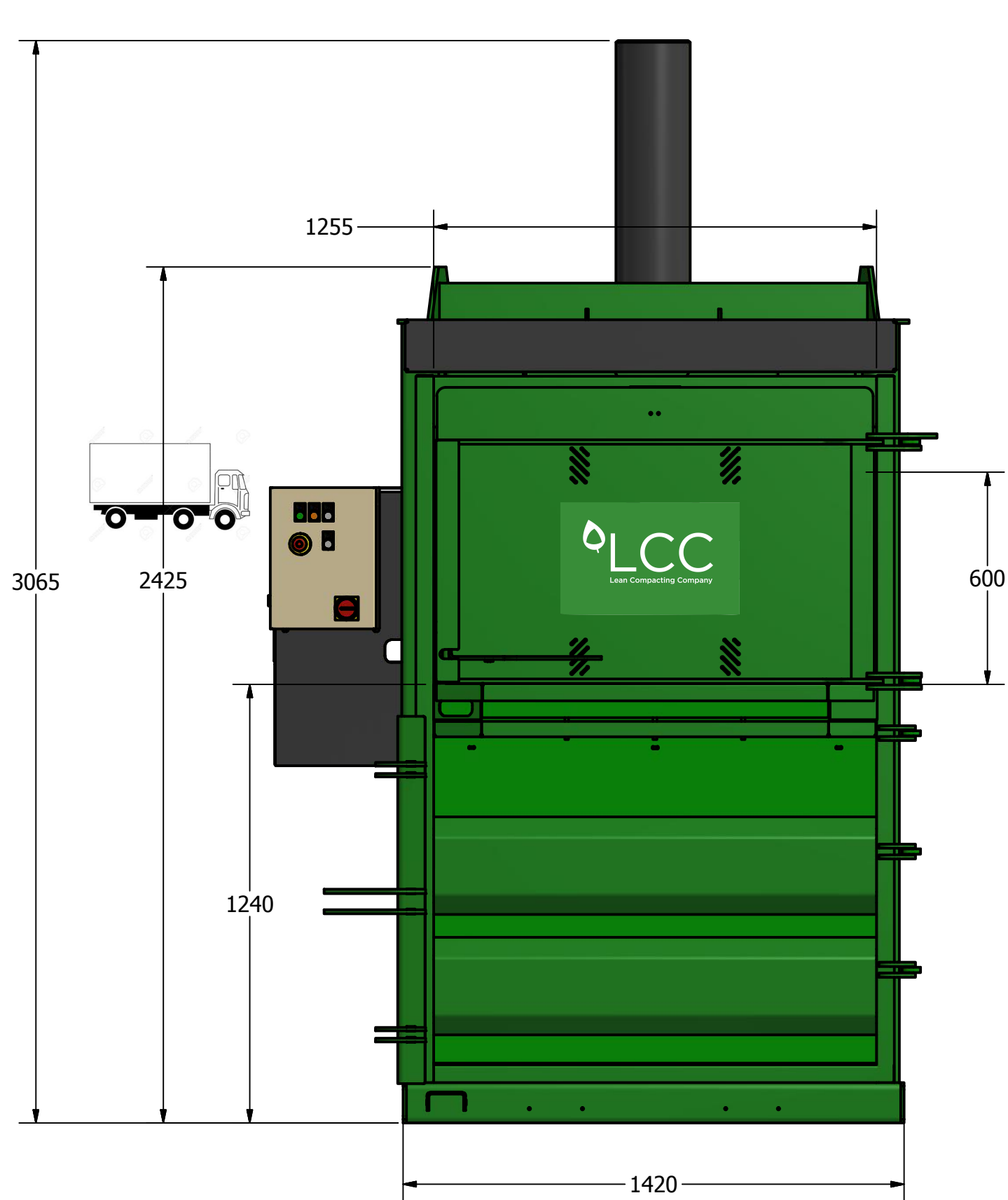
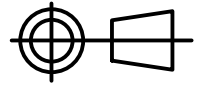


THIRD ANGLE PROJECTION



[www.lccnorte.com](http://www.lccnorte.com)

MODEL CODE	V65
MACHINE WEIGHT	2,840 Kg
NOISE LEVEL	76 dB