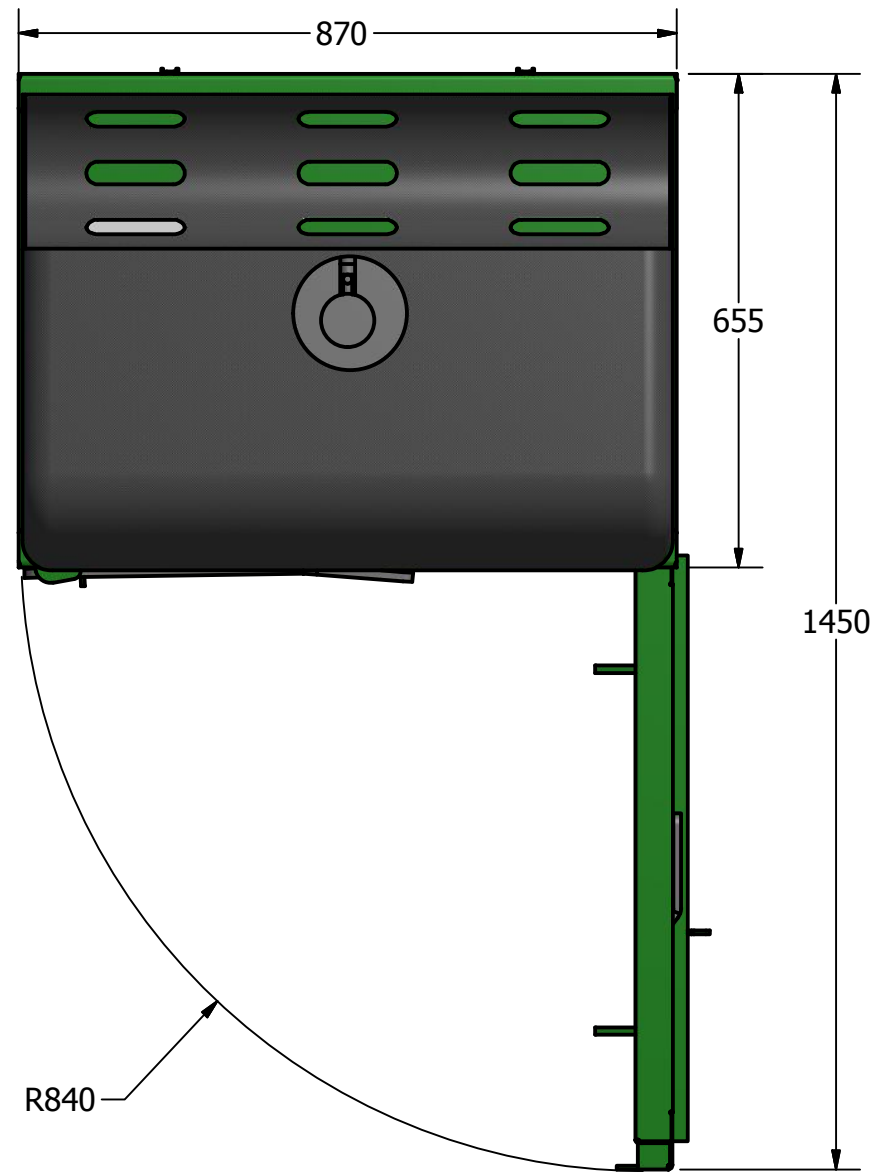
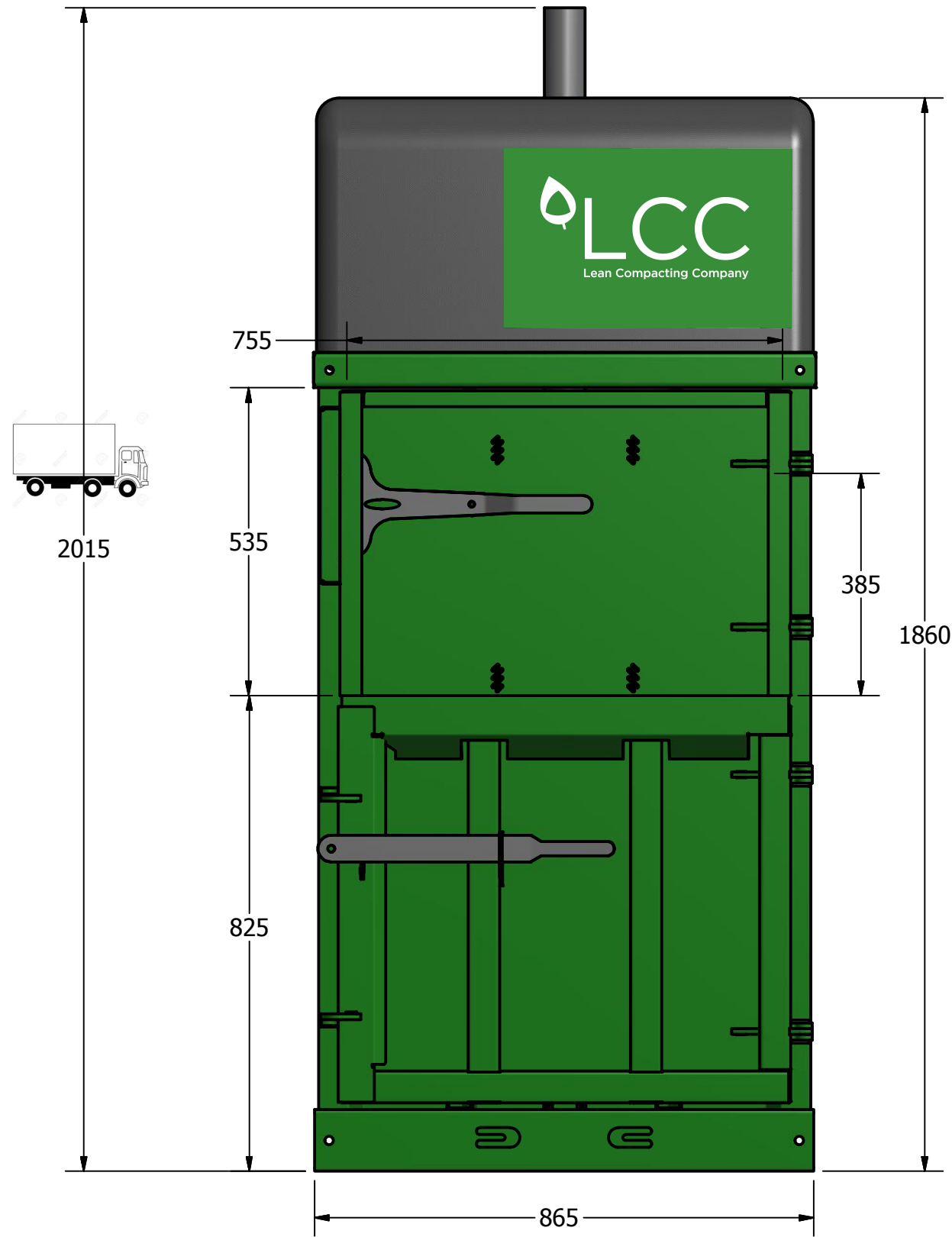
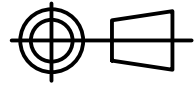


THIRD ANGLE PROJECTION



[www.lccnorte.com](http://www.lccnorte.com)

MODEL CODE	V5
MACHINE WEIGHT	340 KG
NOISE LEVEL	70 dB